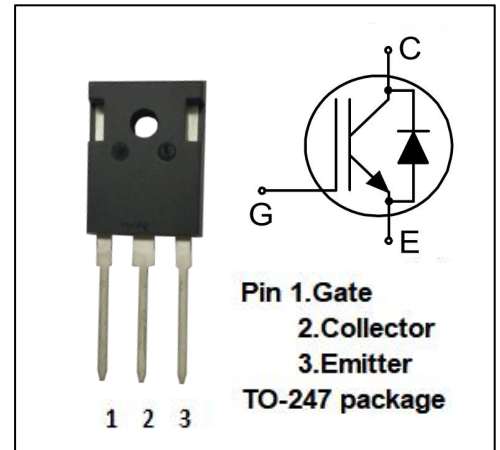


DESCRIPTION

- Low Saturation Voltage: $V_{CE(sat)}=2.8V@I_C=75A$
- High Current Capability
- High Input Impedance
- Fast Switching
- Minimum Lot-to-Lot variations for robust device performance and reliable operation

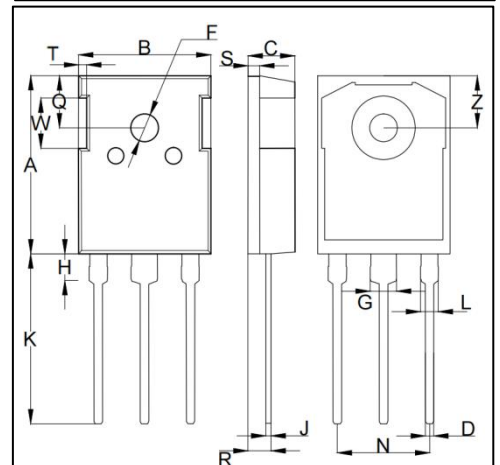
APPLICATIONS

- Synchronous Rectification in SMPS
- Automotive Chargers
- UPS, PFC
- High Voltage Auxiliaries



ABSOLUTE MAXIMUM RATINGS(TC=25°C)

SYMBOL	PARAMETER	VALUE	UNIT
V_{CES}	Collector-Emitter Voltage	1200	V
V_{GES}	Gate-Emitter Voltage	± 30	V
I_C	Collector Current-Continuous @ $T_C=25^\circ C$	150	A
I_{CM}	Pulsed Collector Current	225	A
I_F	Diode Forward Current @ $T_C=25^\circ C$	75	A
I_{FM}	Pulsed Diode Maximum Forward current @ $T_C=25^\circ C$	225	A
P_D	Power Dissipation , $T_C=25^\circ C$	833	W
T_j	Max. Operating Junction Temperature	175	$^\circ C$
T_{stg}	Storage Temperature Range	-55~175	$^\circ C$



DIM	mm		
	MIN	TYP.	MAX
A	19.80	20.65	21.50
B	15.40	15.65	15.90
C	4.70	5.00	5.30
D	0.90	1.08	1.26
F	3.50	3.70	3.90
G	2.70	3.00	3.30
H	3.90	4.00	4.10
J	0.50	0.60	0.70
K	19.50	20.00	20.50
L	1.90	2.05	2.20
N	10.80	10.90	11.00
Q	6.00	6.15	6.30
R	2.90	3.10	3.30
S	1.80	2.00	2.20
T	2.15	2.25	2.35
W	4.90	5.00	5.10
Z	6.00	6.15	6.30

THERMAL CHARACTERISTICS

SYMBOL	PARAMETER	MAX	UNIT
$R_{th\ j-c}$	Thermal Resistance, Junction to Case	0.18	$^\circ C/W$

• ELECTRICAL CHARACTERISTICS (T_c=25°C)

SYMBOL	PARAMETER	CONDITIONS	MIN	TYPE	MAX	UNIT
V _{CES}	Collector-Emitter Breakdown Voltage	V _{GE} =0; I _C = 3mA	1200	--	--	V
V _{GE(TH)}	Gate-Emitter Threshold Voltage	V _{GE} = V _{CE} ; I _C = 2mA	5.0	--	6.5	V
V _{CE(sat)}	Collector-Emitter Saturation Voltage	I _C = 75A; V _{CE} = 15V, T _C =25°C	--	1.55	1.8	V
I _{CES}	Zero Gate Voltage Collector Current	V _{CE} =1200V; V _{GE} =0	-	--	0.4	mA
I _{GES}	Gate-Emitter Leakage Current	V _{GE} = ± 30V; V _{CE} =0	--	--	±200	nA
V _F	Diode Forward Voltage	I _F =75A; T _C =25°C	--	2.2	2.8	V

NOTICE:

ISC reserves the rights to make changes of the content herein the datasheet at any time without notification. The information contained herein is presented only as a guide for the applications of our products.

ISC products are intended for usage in general electronic equipment. The products are not designed for use in equipment which require specialized quality and/or reliability, or in equipment which could have applications in hazardous environments, aerospace industry, or medical field. Please contact us if you intend our products to be used in these special applications.

ISC makes no warranty or guarantee regarding the suitability of its products for any particular purpose, nor does ISC assume any liability arising from the application or use of any products, and specifically disclaims any and all liability, including without limitation special, consequential or incidental damages.